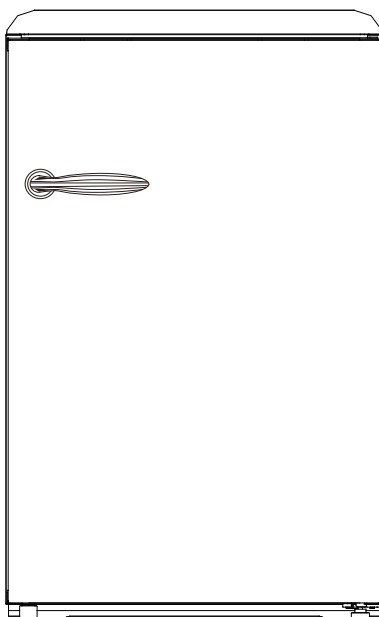


SIBIR

REFRIGERATOR
KÜHLSCHRANK
RÉFRIGÉRATEUR



OT 11010 FR / OT 11010 BL

User manual

Please read the following instructions carefully before using this device. Please keep these instructions for future reference.

Bedienungsanleitung

Bitte lesen Sie die folgenden Anweisungen sorgfältig durch, bevor Sie dieses Gerät verwenden. Bitte bewahren Sie diese Anweisungen zum späteren Nachschlagen auf.

Notice d'utilisation

Veillez lire attentivement les instructions suivantes avant d'utiliser cet appareil. Veuillez conserver ces instructions pour toute future référence.



THIS APPLIANCE IS FOR HOUSEHOLD USE ONLY!
Please read all instructions carefully before first use and
save them for future reference.

SAFETY INSTRUCTIONS

IMPORTANT

Please read the following operating instructions carefully before connecting your new device, they contain important information on safety, how to use, install and keep your device in working order. Please keep these instructions for future reference.

1. This device can be used by children from 8 years old and by people with reduced physical, sensory or mental capacities or a lack of experience and knowledge provided that they have been placed under supervision or that they have been instructed in the safe use of the device and understand the dangers involved. Children must not play with the device. Cleaning and user maintenance should not be made by children without supervision.

2. Before plugging in the appliance, make sure that the voltage of the mains socket in your home matches that shown on the rating plate.
3. Do not damage the cooling system. This warning is only valid for devices whose cooling circuit is accessible by the user.
4. Make sure the unit is unplugged before cleaning.
5. To clean this unit, use a damp cloth or glass cleaner. Never use detergent or solvent.
6. When defrosting has been carried out, or when the refrigerator ceases to be used, clean the appliance to prevent the spread of odor. Too much gel can affect refrigeration.
7. It is recommended to use this appliance without an extension cord.

8. To ensure good ventilation of the appliance, which is essential for its proper functioning, it is recommended to have a minimum clearance (or space) of 10mm on the sides and at the rear and 20mm on the top.
9. Do not place any hot food or drink in the appliance.
10. In order to save electricity consumption, keep air circulation around the appliance and discard food wrappers before putting them in the refrigerator as soon as possible.
11. Do not store toxic materials such as ether, methanol, gasoline, etc., which are volatile and can burn or explode.

12. Do not place flammable materials in the refrigerator unless they have been authorized by the manufacturer.
13. Close the door after use to avoid temperature loss.
14. This product should not be used outdoors and should not be exposed to rain.
15. The appliance must be placed on a flat and stable surface.
16. The appliance must be positioned so that the socket is easily accessible.
17. Do not place heavy objects on the refrigerator and do not wet it.
18. To avoid the risk of electric shock, never use this appliance with wet hands or bare feet on a wet surface.
19. Do not use the appliance outdoors or in a humid place.
20. Do not move the unit when it is full to avoid tipping.

21. The power cable must be plugged into a grounded outlet. Never pull on the cable to disconnect the appliance, grasp the plug and pull it out from the socket.

22. Never lift the device by the power cable.

23. Keep the power cable away from heated surfaces.

24. Do not attempt to repair, adjust, or replace any part of this appliance yourself. In the event of a malfunction, contact the after-sales service.

25. Children should be supervised to ensure that they do not play with the appliance.

26. If the power cable is damaged, it must be replaced by the manufacturer, its after-sales service or similarly qualified persons in order to avoid any danger.

27. It is recommended to regularly examine the power cable for any signs of damage, and the device should not be used if the cable is damaged.

28. The appliance is fitted with an earthed plug to protect you from any electrical risks and must be connected to a socket outlet with an earth contact.

29. The appliances are not intended to be operated by means of an external timer or by a separate remote control system.

30. **CAUTION:** Keep the ventilation openings in the enclosure of the appliance, in its exterior part or in its built-in structure clear.

31. **CAUTION:** Do not damage the refrigeration circuit.

32. **CAUTION:** Do not use mechanical devices or other means to accelerate the defrosting process, other than those recommended by the manufacturer.

33. **CAUTION:** Do not use electrical appliances inside the food storage compartment, unless they are not of the type recommended by the manufacturer.

34. This appliance is intended for use in household applications.

35. **WARNING:** When positioning the unit, make sure that the power cord is not pinched or damaged.

36. **WARNING:** Do not place multiple outlet mobile bases or portable power supplies on the back of the appliance.

37. Children aged 3 to 8 are allowed to load and unload refrigeration devices.

38. To avoid contamination of food, please observe the following instructions:

- Prolonged opening of the door can lead to a significant increase in the temperature in the compartments of the appliance.
- Regularly clean surfaces that may come into contact with food and accessible drainage systems.
- Store raw meat and fish in suitable containers in the refrigerator, so that they do not come into contact with and drip on other foods.
- The two-star compartments for frozen products are suitable for storing frozen food, for storing or making ice cream and for making ice cubes.
- The one, two and three star compartments are not suitable for freezing fresh food.
- If the refrigeration appliance is left empty for long periods of time, turn it off, defrost, clean, dry and leave the door open to prevent mold growth in the appliance.

39. Place the device against a wall with a clear distance of no more than 75 mm and more than 50 mm.

40. This refrigeration appliance is not intended for use as a built-in appliance.

41. Recommended storage time for frozen foods in the freezer. These times vary depending on the type of food. Foods that you freeze can be stored for 1 to 12 months (minimum at -18 ° C).

Food	Storage time
Bacon, casseroles, milk	1 month
Bread, ice cream, sausages, pies, prepared shellfish, oily fish	2 months
Non-oily fish, shellfish, pizza, scones and muffins	3 months
Ham, cakes, biscuits, beef and lamb chops, poultry pieces	4 months
Butter, vegetables (blanched), eggs whole and yolks, cooked crayfish, minced meat (raw), pork (raw)	6 months
Fruit (dry or in syrup), egg whites, beef (raw), whole chicken, lamb (raw), fruit cakes	12 months

42. When freezing fresh food with an “best before / best before / best date” you should freeze it before that date has expired.

43. Check that the food has not already been frozen. This is because frozen foods that have thawed completely should not be refrozen. Once thawed, food should be eaten quickly.

- To avoid spoilage of food due to transfer of germs: Store unpackaged animal and plant products separately in drawers. This also applies to different kinds of meat.
- If food must be kept together due to lack of space: wrap it.
- Never store fruits and vegetables on a balcony with meat or fish.

Food	Storage time
Butter	90 days
Hard cheese	110 days
Milk	7 days
Sausages, cold cuts	9 days
Meat	7 days



Suitable for food

Refrigerant

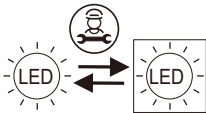


**Danger ; risk of fire /
flammable materials**

The refrigerant gas contained in the circuit of this device is isobutane (R 600a), a low-polluting but flammable gas. When transporting and installing the appliance, take care not to damage any part of the refrigeration circuit.

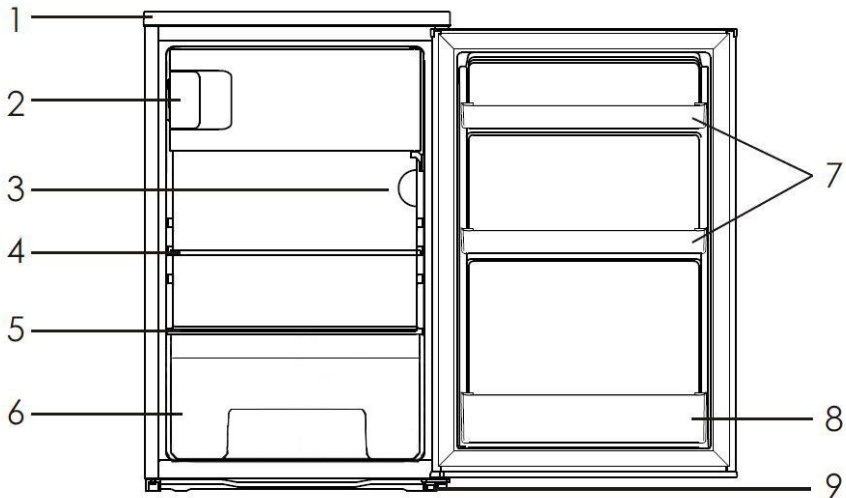
WARNING: When positioning the device, make sure that the power cord is not trapped or damaged.

WARNING: Do not place multiple outlet mobile bases or portable power supplies on the back of the device.



Replaceable light source (LED only) by a professional. This product contains two light sources of energy efficiency class G.

DESCRIPTION OF THE DEVICE



- | | | | |
|----|----------------------|----|-----------------|
| 1. | Top cover | 6. | Vegetable bin |
| 2. | Freezer compartment | 7. | Door balustrade |
| 3. | Thermostat | 8. | Bottle holder |
| 4. | Glass shelf | 9. | Adjustable feet |
| 5. | Vegetable tray cover | | |

TRANSPORT AND START-UP

When transporting, take the device by the base and gently tilt it up to a maximum of 45 °. Never lift the appliance by the door handle. Do not put the device upside down or horizontally. Push the refrigerator on the roller legs to move it.

INSTALLATION

Install the refrigerator on a flat and stable surface to avoid possible noise and vibrations from the appliance. The refrigerator should be placed so that the outlet is easily accessible.

Choose a dry, well-ventilated place. Leave a space of at least 10mm all around the refrigerator and 20mm on the top.

**Do not install the refrigerator in a corrosive atmosphere.
Wait 12 to 24 hours before plugging in the appliance.**

WARNING !

When you install your refrigeration appliance, it is important to take into account the climatic class of the product. To find out which climate class your refrigerator belongs to, please check the data plate as shown below: The refrigeration appliance is operating correctly within the ambient temperature range shown in the table, depending on the climate class.

Class	Symbol	Average ambient temperature ° C
temperate enlarged	SN	from + 10 to + 32
temperate	N	from + 16 to + 32
subtropical	ST	from + 16 to + 38
Tropical	T	from + 16 to + 43

PLACE

The device must be installed away from heat sources such as radiators, boilers, direct sunlight, etc.

Make sure that air can circulate freely behind the cabinet. To ensure optimum performance, if the appliance is placed under an overhanging wall unit, the minimum distance between the top of the booth and the wall unit must be at least 100 mm.

Ideally, the device should not be placed under a surface mounted wall unit. Precise leveling is ensured by one or more adjustable feet at the base of the cabinet.

For refrigeration devices with a climatic class:

- extended temperate (SN): this refrigeration appliance is intended for use at ambient temperatures between 10 ° C and 32 ° C;
- temperate (N): this refrigeration appliance is intended for use at ambient temperatures between 16 ° C and 32 ° C;
- subtropical (ST): this refrigeration appliance is intended for use at ambient temperatures between 16 ° C and 38 ° C;
- tropical (T): this refrigeration appliance is intended for use at ambient temperatures between 16 ° C and 43 ° C.

Meaning of the labeling * of freezers:

- 1- (*), 2- (**), and 3-star (***) freezers are not suitable for freezing fresh food.
- The 2 star (**) and 3 star (***) freezers are suitable for storing frozen food (pre-frozen) and ice cream or for making ice cream and ice cubes.

COMPARTMENTS	STARS (*)	TARGET STORAGE TEMPERATURE	SUITABLE FOOD
FREEZER	(***)*	≤ -18 °C	<ul style="list-style-type: none"> ➤ Suitable for seafood (fish, shrimps, shellfish), freshwater and meat products. ➤ Recommended storage period: 3 months <p>❗ Suitable for freezing fresh food.</p>
FREEZER	***	≤ -18 °C	<ul style="list-style-type: none"> ➤ Suitable for seafood (fish, shrimps, shellfish), freshwater and meat products. ➤ Recommended storage period: 3 months <p>❗ Not suitable for freezing fresh food.</p>
FREEZER	**	≤ -12 °C	<ul style="list-style-type: none"> ➤ Suitable for seafood (fish, shrimps, shellfish), freshwater and meat products. ➤ Recommended storage period: 2 months <p>❗ Not suitable for freezing fresh food.</p>
FREEZER	*	≤ -6 °C	<ul style="list-style-type: none"> ➤ Suitable for seafood (fish, shrimps, shellfish), freshwater and meat products. ➤ Recommended storage period: 1 month <p>❗ Not suitable for freezing fresh food.</p>
0* - COMPARTMENT	—	-6 °C - 0 °C	<ul style="list-style-type: none"> ➤ Suitable for fresh meat products (pork, beef, chicken, etc.) and processed food consumed or processed within the same day or within the next three days after storage (max.). <p>❗ Not suitable for freezing food or for storing frozen food.</p>



Warning ! The appliance must be able to be disconnected from the electrical network; the plug must therefore be easily accessible after installation.

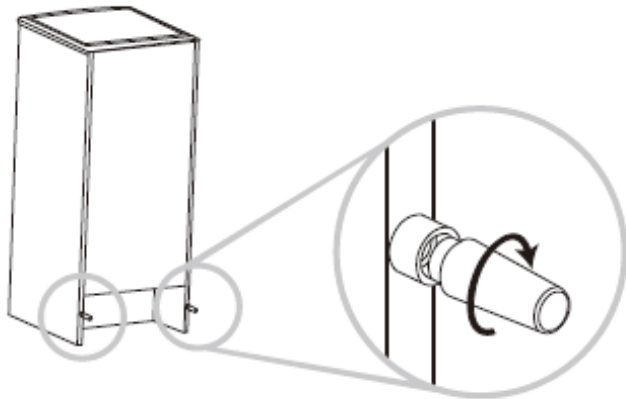
USE

Before first use, clean all parts of the refrigerator with a soft cloth dampened in lukewarm water and a mild detergent. Rinse them thoroughly with clean water and dry them with a dry cloth.

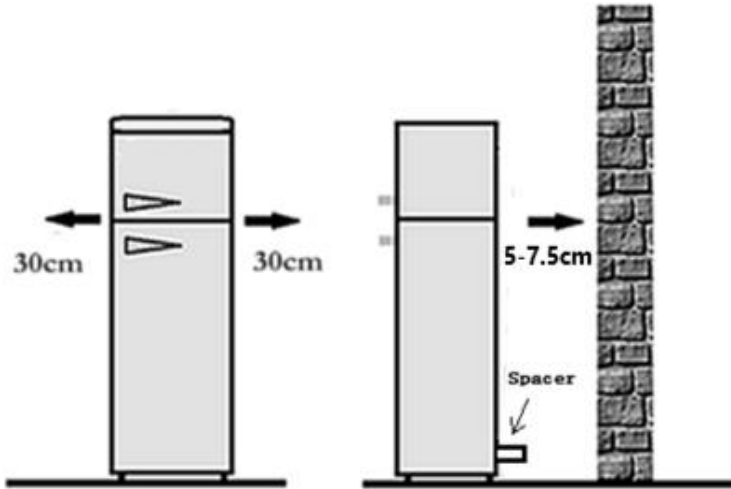
Note: The electrical parts of the refrigerator can only be cleaned with a dry cloth.

Place the thermostat knob in position "3", then turn on the appliance. The compressor is running and the interior light of the refrigerator comes on. Close the door. After 30 minutes, if the temperature in the refrigerator drops significantly, it shows that the refrigeration system is working properly. When the refrigerator has been running for a while, the temperature will adjust to the setting made, provided you do not leave the door open for too long. If the above steps have been completed successfully, the setup operations are complete. The refrigerator is operating normally.

The device is supplied with two plastic tips (in the plastic bag in the user manual). After installing these end caps, the unit can no longer be pushed against the wall to ensure adequate ventilation. Insert the end caps into the corresponding openings on the back of the device, then screw them on.



Place the device against a wall with a free distance not exceeding 50-75mm.



TEMPERATURE CONTROL

The temperatures in the refrigerator compartment and the freezer compartment are controlled by the thermostat located at the top of the refrigerator compartment.

Turn the thermostat knob to adjust the temperature inside the refrigerator. There are 7 temperature settings on the thermostat: from "0" to "7". The first setting "0" means "OFF" while the 7th setting "7" indicates the lowest temperature in the refrigerator. Turn the thermostat knob from position "1" to "7", the temperature gradually decreases.

Set the thermostat knob to position "3" or "4" during normal use.

FOOD STORAGE

- How to use the freezer compartment?

Place fresh foods such as fish, meat in the freezer compartment to preserve their taste and nutrients.

Wrap foods that need to be frozen in aluminum foil or in airtight plastic boxes.

Do not put fresh food in direct contact with other already frozen food.

If you buy frozen food, please keep it in the freezer compartment as soon as possible.

Never refreeze a thawed product.

- How to use the refrigerator compartment?

Eggs and bottles must be placed in the spaces reserved for this purpose.

Vegetables and fruits should be put in the vegetable drawer. The jars should be placed in the shelves on the refrigerator door.

Other foods which are perishable or which may give off a bad odor in the refrigerator should be packaged separately.

- Food placement

Be careful not to over-place food in the refrigerator. Food should be wrapped separately in aluminum foil or in airtight plastic boxes. In order to save energy consumption, do not place hot food in the refrigerator.

Wait until they are well cooled before storing them. Never put vegetables or fruit in the freezer compartment.

DEFROST

When the appliance has been in operation for a long time, the underside of the freezer compartment may become covered with a film of frost. This leads to increased power consumption and decreases the efficiency of your device. Your freezer compartment should be defrosted once a month.

When defrosting, unplug the appliance, open the door and remove all food. Then store the food in a cool place. Use a plastic scraper to remove the frost. Then wipe the freezer compartment with a soft, dry cloth.

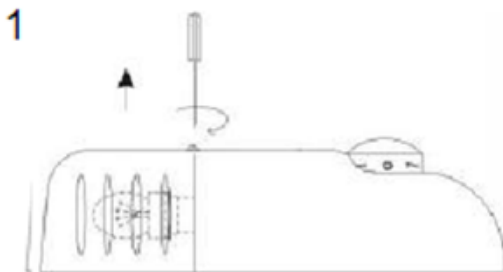
Note: Never use a metal utensil to defrost the freezer compartment to avoid damaging it.

WARNING: Do not use any mechanical device or other means to accelerate defrosting other than those recommended by the manufacturer.

Lamp replacement

If the light no longer works, check if the bulb is properly screwed in. If the light still does not work, it is necessary to change the bulb.

1. Use a new bulb of Max 10W E14 (220-240V ~). Unplug the device;
2. Open the lamp cover (1);
3. Unscrew the defective bulb counterclockwise; Screw the new bulb clockwise; Replace the lamp cover;
4. Reconnect the device.



MAINTENANCE AND CLEANING

- The device should be cleaned at least once a month.
- Before cleaning, be sure to switch off and unplug the appliance.
- Remove all accessories. Wash them in lukewarm water with a mild detergent (dish soap for example), rinse with bleach and dry thoroughly.
- Wipe the inside and outside of the refrigerator with a damp, soft cloth.
- If the device is too dirty, clean it with a soft cloth dampened with a little mild detergent, rinse the device thoroughly and dry it with a soft cloth.

If you need to go on vacation or not use the device for a long time, please do the following:

- Switch off the appliance and unplug it from the socket.
- Remove all food.
- Clean and dry the inside of the appliance by following the above instructions.
- Leave the appliance door open to avoid any bad odors.

Cleaning

Before cleaning, be sure to switch off and unplug the appliance.

Use a soft cloth soaked in water or non-abrasive detergent to clean the device. Then wipe off the moisture with a soft, dry cloth. Remember to clean the water collection tray located at the back, above the glass cover.

REVERSE DOOR OPENING DIRECTION

The refrigerator was built with the door hinges on the right. If you want to change the opening direction of the door, be sure to follow the following instructions:

1. Remove the cover (1). Remove the four screws (2) (3) and remove the top cover
2. Remove the two screws (4) that hold the top hinge (5) and remove this top hinge (5).
3. Unscrew the nut (7) and remove the pin (6). Reverse the hinge at the top (5) and secure the pin (6) and nut (7).
4. Lift the door up and place it on a padded surface to avoid scratching it.
5. Remove the foot (8). Remove the three screws (9) that hold the bottom hinge (10) and be sure to remove this bottom hinge (10).
6. Loosen the screw (12) and remove the foot (13), then move it to the right side.
7. Remove the pin (11) and reverse the direction of the bottom hinge (10). Install the bottom hinge (10) in the left side with three screws (9).

8. Insert the pin (11) on the bottom hinge (10).
9. Remove the hinge pin (14) (15) (16) located at the bottom of the door. On the other side of the door, insert the replacement hinge pin that comes with this unit.
10. Put the door in place and make sure the door is securely fastened to the bottom hinge (10).
11. Secure the top hinge (5) with two screws (4).
12. Secure the top cover with four screws (2) (3) then place the covers (1) on the screws (2).

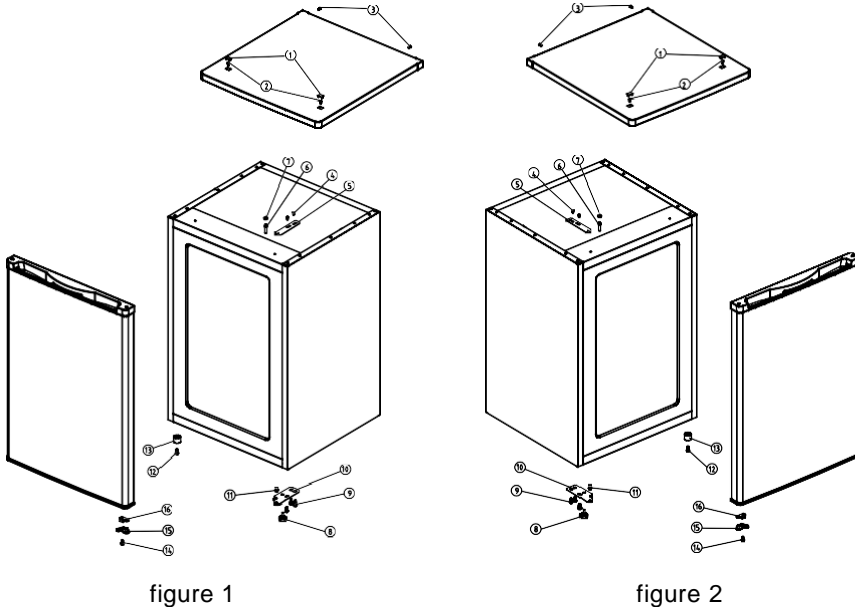


Figure 1: the position of the components before the door inversion
 Figure 2: the position of the components after the door inversion

If you also want to change the opening direction of the internal freezer compartment door, be sure to follow the instructions below:

1. Remove the screw (1) and remove the lock button (2).
2. Remove the two screws (3) that hold the bottom axle cover (4) and remove this cover.
3. Remove the door and place it on a padded surface to avoid scratching it.
4. Remove the top axle cover (5) and move it to the opposite position.
5. Rotate the door 180 ° and place it on the top axle cover.
6. Secure the lower axle cover (4) with the two screws (3).
7. Secure the locking button (2) with a screw (1).

figure 1

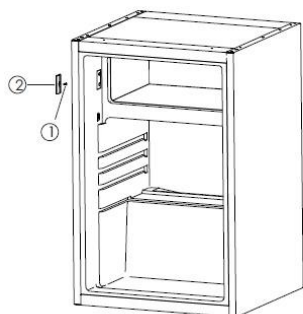


figure 2

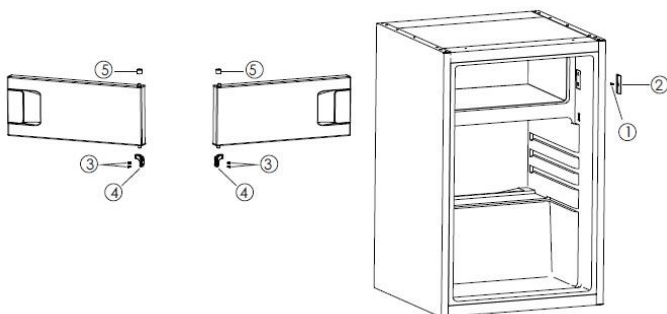


Figure 1: the position of the components before the door inversion

Figure 2: the position of the components after the door inversion

ADVICE - ENERGY SAVING

- Install the appliance in a cool, dry and suitably ventilated room.
- Take care not to expose the device to direct sunlight and never place it near a direct source of heat (near a radiator, for example).
- Never block the appliance's ventilation openings or grids.
- Let the food cool before placing it in the appliance.
- Place frozen products in the refrigerator to defrost them.
- The low temperature of frozen products will help to cool the food in the refrigerator.
- Do not leave the appliance doors open for too long when storing or removing food from the appliance.
- When you freeze food or want to store it in the freezer, place it directly in the upper freezer compartment.

REPAIR

Symptom	Reason	Solution
The device does not work	No power supply	Make sure the device is plugged in properly and the wall outlet is working normally
	The fuse has blown.	Replace the fuse
The device makes a lot of noise	The device is not parallel to the ground. The appliance is too close to the wall or the interior accessories of the refrigerator are placed incorrectly.	Stabilize the base of the refrigerator by adjusting the position of the feet. Move the device away from the wall. Correctly place the interior accessories of the refrigerator.
The appliance does not reach the desired temperature.	The door is opened too often or has been left open for a long time.	Close the door and do not open it too frequently.
	The refrigerator is too close to the wall.	Move the unit away from the wall to ensure proper.
	The refrigerator is too full.	Remove food from the appliance.
	The temperature is incorrectly regulated.	Turn the thermostat knob to position "3" or higher.
The device emits bad odors.	Food has expired inside the refrigerator.	Throw away expired foods and wrap other foods.
	The interior of the appliance needs to be cleaned.	Clean the inside of the appliance.

If your device shows other symptoms than those described above, please call the authorized service center of the store or the dealer.

The following symptoms are not failures:

1. The sound of coolant flowing through the pipes can be heard, this is normal.
2. Moisture on the exterior surface of the unit during wet seasons is not a problem, just wipe the surfaces with a soft, dry cloth.
3. The compressor and condenser may heat up more during periods of high heat.
4. The door frame is a little warm, it means the condenser is working to remove moisture from the air.

WARRANTY EXCLUSIONS:

The warranty does not cover wear parts of the product, nor problems or damage resulting from:

- (1) Surface deterioration due to normal wear and tear of the product;
- (2) Defects or deterioration due to contact of the product with food or liquids and due to corrosion caused by rust or the presence of insects;
- (3) Any unauthorized incident, abuse, misuse, modification, disassembly or repair;
- (4) Any improper maintenance operation, use not in accordance with the instructions concerning the product or connection to an incorrect voltage;
- (5) Any use of accessories not supplied or approved by the manufacturer.

The warranty will be void if the nameplate and / or serial number of the product is removed.

DISPOSAL



The European Directive 2012/19 / EU on Waste Electrical and Electronic Equipment (WEEE), requires that used household appliances not be thrown into the normal stream of municipal waste. Used devices must be collected separately in order to optimize the recovery rate and recycling of the materials they are made of and reduce the impact on human health and the environment.

The crossed-out wheeled bin symbol is affixed to all products to remind you of the obligations of separate collection. Consumers should contact the local authorities or their dealer regarding the procedure to follow for the removal of their device.



**DIESES GERÄT IST NUR FÜR DEN HAUSHALT
BESTIMMT!**

Bitte lesen Sie alle Anweisungen vor dem ersten Gebrauch sorgfältig durch und bewahren Sie sie zum späteren Nachschlagen auf.

WICHTIGE SICHERHEITSANWEISUNGEN

Bitte lesen Sie die folgenden Betriebsanweisungen sorgfältig durch, bevor Sie Ihr neues Gerät anschließen. Sie enthalten wichtige Informationen zur Sicherheit, zur Verwendung, Installation und zum ordnungsgemäßen Betrieb Ihres Geräts. Bitte bewahren Sie diese Anweisungen zum späteren Nachschlagen auf.

1. Dieses Gerät kann von Kindern ab 8 Jahren und von Personen mit eingeschränkter körperlicher, sensorischer oder geistiger Leistungsfähigkeit oder mangelnder Erfahrung und mangelndem Wissen verwendet werden, sofern sie unter Aufsicht gestellt wurden oder Anweisungen zur sicheren

Verwendung des Geräts erhalten haben Sie verstehen die Gefahren. Kinder dürfen nicht mit dem Gerät spielen. Reinigung und Wartung durch den Benutzer dürfen nicht von Kindern ohne Aufsicht durchgeführt werden.

2. Stellen Sie vor dem Anschließen des Geräts sicher, dass die Spannung der Netzsteckdose in Ihrem Haus mit der auf dem Typenschild angegebenen übereinstimmt.
3. Den Kühlkreislauf nicht beschädigen. Diese Warnung gilt nur für Geräte, auf deren Kühlkreislauf der Benutzer zugreifen kann.
4. Stellen Sie vor dem Reinigen sicher, dass das Gerät vom Stromnetz getrennt ist.
5. Verwenden Sie zum Reinigen dieses Geräts ein feuchtes Tuch oder einen Glasreiniger.

Verwenden Sie niemals
Reinigungsmittel oder Lösungsmittel.

6. Wenn das Abtauen durchgeführt wurde oder wenn der Kühlschrank nicht mehr benutzt wird, reinigen Sie das Gerät, um die Ausbreitung von Gerüchen zu verhindern. Zu viel Gel kann die Kühlung beeinträchtigen.
7. Es wird empfohlen, dieses Gerät ohne elektrische Verlängerung zu verwenden.
8. Um eine gute Belüftung des Geräts zu gewährleisten, die für die ordnungsgemäße Funktion unerlässlich ist, wird empfohlen, an den Seiten und hinten einen Mindestabstand (oder Abstand) von 10 mm und oben einen Abstand von 20 mm einzuhalten.
9. Stellen Sie keine warmen Speisen oder Getränke in das Gerät.
10. Um den Stromverbrauch zu senken, halten Sie die Luftzirkulation um das Gerät herum aufrecht und entsorgen Sie

Lebensmittelverpackungen, bevor Sie sie so schnell wie möglich in den Kühlschrank stellen.

11. Lagern Sie keine giftigen Materialien wie Äther, Methanol, Benzin usw., die flüchtig sind und verbrennen oder explodieren können.
12. Stellen Sie keine brennbaren Materialien in den Kühlschrank, es sei denn, sie wurden vom Hersteller genehmigt.
13. Schließen Sie die Tür nach Gebrauch, um Temperaturverluste zu vermeiden.
14. Dieses Produkt darf nicht im Freien verwendet werden und darf keinem Regen ausgesetzt werden.
15. Das Gerät muss auf einer ebenen und stabilen Oberfläche aufgestellt werden.
16. Das Gerät muss so aufgestellt werden, dass die Steckdose leicht zugänglich ist.
17. Stellen Sie keine schweren Gegenstände auf den Kühlschrank und machen Sie ihn nicht nass.

18. Verwenden Sie dieses Gerät niemals mit nassen Händen oder nackten Füßen auf einer nassen Oberfläche, um die Gefahr eines Stromschlags zu vermeiden.
19. Verwenden Sie das Gerät nicht im Freien oder an einem feuchten Ort.
20. Bewegen Sie das Gerät nicht, wenn es voll ist, um ein Umkippen zu vermeiden.
21. Das Netzkabel muss an eine geerdete Steckdose angeschlossen werden.
Ziehen Sie niemals am Kabel, um das Gerät zu trennen, fassen Sie den Stecker und ziehen Sie ihn aus der Steckdose.
22. Heben Sie das Gerät niemals am Netzkabel an.
23. Halten Sie das Netzkabel von erhitzten Oberflächen fern.
24. Versuchen Sie nicht, Teile dieses Geräts selbst zu reparieren, einzustellen oder auszutauschen. Im Falle einer Fehlfunktion wenden Sie sich an den Kundendienst.

25. Kinder sollten beaufsichtigt werden, um sicherzustellen, dass sie nicht mit dem Gerät spielen.
26. Wenn das Netzkabel beschädigt ist, muss es vom Hersteller, seinem Kundendienst oder von Personen mit ähnlicher Qualifikation ausgetauscht werden, um Gefahren zu vermeiden.
27. Es wird empfohlen, das Netzkabel regelmäßig auf Anzeichen von Beschädigungen zu überprüfen. Das Gerät sollte nicht verwendet werden, wenn das Kabel beschädigt ist.
28. Das Gerät ist mit einem geerdeten Stecker ausgestattet, um Sie vor elektrischen Risiken zu schützen, und muss an eine Steckdose mit Erdungskontakt angeschlossen werden.
29. Die Geräte dürfen nicht mit einem externen Timer oder einer separaten Fernbedienung betrieben werden.

30. **VORSICHT:** Halten Sie die Lüftungsöffnungen im Gehäuse des Geräts, im Außenteil oder in der eingebauten Struktur frei.
31. **VORSICHT:** Nicht beschädigen der Kühlkreislauf.
32. **VORSICHT:** Verwenden Sie keine mechanischen Geräte oder andere Mittel, um den Abtauvorgang zu beschleunigen, außer den vom Hersteller empfohlenen.
33. **VORSICHT:** Verwenden Sie keine Elektrogeräte im Lebensmittelfach, es sei denn, sie sind vom vom Hersteller empfohlenen Typ.
34. Dieses Gerät ist für den Einsatz in Haushaltsanwendungen vorgesehen.
35. **WARNUNG:** Stellen Sie beim Positionieren des Geräts sicher, dass das Netzkabel nicht eingeklemmt oder beschädigt ist.
36. **WARNUNG:** Platzieren Sie keine mobilen Mehrfachsteckdosen oder tragbaren Netzteile auf der Rückseite des Geräts.

37. Kinder im Alter von 3 bis 8 Jahren dürfen Kühlgeräte be- und entladen.
38. Beachten Sie die folgenden Anweisungen, um eine Kontamination von Lebensmitteln zu vermeiden:
- Ein längeres Öffnen der Tür kann zu einem erheblichen Temperaturanstieg in den Abteilen des Geräts führen.
 - Reinigen Sie regelmäßig Oberflächen, die mit Lebensmitteln in Kontakt kommen können, und zugängliche Entwässerungssysteme.
 - Lagern Sie rohes Fleisch und Fisch in geeigneten Behältern im Kühlschrank, damit sie nicht in Kontakt kommen und nicht auf andere Lebensmittel tropfen.
 - Die Zwei-Sterne-Fächer für Tiefkühlprodukte eignen sich zur Aufbewahrung von Tiefkühlkost, zur Aufbewahrung oder Herstellung von Eiscreme und zur Herstellung von Eiswürfeln.

- Die Ein-, Zwei- und Drei-Sterne-Fächer eignen sich nicht zum Einfrieren frischer Lebensmittel.
- Wenn das Kühlgerät längere Zeit leer bleibt, schalten Sie es aus, tauen Sie es auf, reinigen, trocknen Sie es und lassen Sie die Tür offen, um Schimmelbildung im Gerät zu vermeiden.

39. Stellen Sie das Gerät an eine Wand, deren freier Abstand 75 mm und 50 mm nicht überschreitet.

40. Dieses Kühlgerät ist nicht zur Verwendung als Einbaugerät vorgesehen.

Empfohlene Lagerzeit für Tiefkühlkost im Gefrierschrank.

41. Diese Zeiten variieren je nach Art des Lebensmittels. Lebensmittel, die Sie einfrieren, können 1 bis 12 Monate gelagert werden (mindestens bei -18°C).

Lebensmittel	Lagerzeit
Speck, Eintöpfe, Milch	1 Monat
Brot, Eiscreme, Würstchen, Pasteten, gegarte Schalentiere, fetthaltiger Fisch	2 Monate
Magerer Fisch, Schalentiere, Pizza, Scones und Muffins	3 Monate
Schinken, Kuchen, Kekse, Rindfleisch und Lammkoteletts, Geflügelstücke	4 Monate
Butter, Gemüse (blanchiert), ganze Eier und Eigelb, Flusskrebse (gekocht), Hackfleisch (roh), Schweinefleisch (roh)	6 Monate
Obst (getrocknet oder in Sirup), Eiweiß, Rindfleisch (roh), ganzes Huhn, Lamm (roh), Obstkuchen	12 Monate

42. Wenn Sie frische Lebensmittel mit dem Datum „Mindesthaltbarkeitsdatum / Mindesthaltbarkeitsdatum / Mindesthaltbarkeitsdatum“ einfrieren, müssen Sie sie vor Ablauf dieses Datums einfrieren.
43. Überprüfen Sie, ob das Essen noch nicht gefroren ist. Dies liegt daran, dass tief aufgetaute Tiefkühlkost nicht wieder eingefroren werden sollte.
Nach dem Auftauen sollte das Essen schnell gegessen werden.

- So verhindern Sie den Verderb von Lebensmitteln durch Keimübertragung: Lagern Sie unverpackte tierische und pflanzliche Produkte getrennt in Schubladen. Dies gilt auch für verschiedene Fleischsorten.
- Wenn Lebensmittel aus Platzgründen zusammengehalten werden müssen: wickeln Sie sie ein.
- Lagern Sie Obst und Gemüse niemals mit Fleisch oder Fisch auf einem Balkon.

Lebensmittel	Lagerdauer
Butter	90 tages
Hartkäse hält	110 tages
Milch	7 tages
Wurst, Aufschnitt	9 tages
Fleisch	7 tages

Nur ein autorisierter Techniker kann die Lampe im Fehlerfall wechseln.



Geeignet für Lebensmittel

Kältemittel



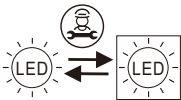
Danger, risque d'incendie/
matières inflammables

Achtung ; Brandgefahr / brennbare Materialien

Das im Kreislauf dieser Vorrichtung enthaltene Kältemittelgas ist Isobutan (R 600a), ein umweltfreundliches, aber brennbares Gas. Achten Sie beim Transport und bei der Installation des Geräts darauf, keinen Teil des Kühlkreislaufs zu beschädigen.

WARNUNG: Stellen Sie beim Positionieren des Geräts sicher, dass das Netzkabel nicht eingeklemmt oder beschädigt ist.

WARNUNG: Platzieren Sie keine mobilen Mehrfachsteckdosen oder tragbaren Netzteile auf der Rückseite des Geräts.

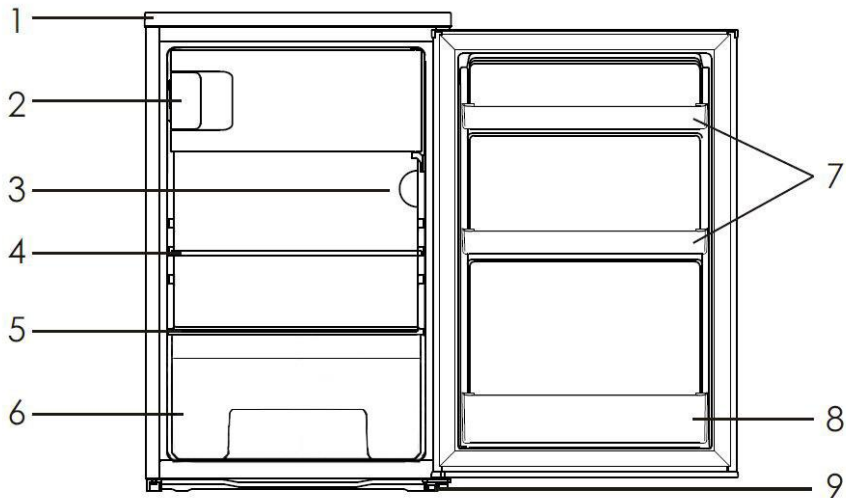


Source lumineuse remplaçable

(LED uniquement) par un professionnel.

Ce produit contient deux sources lumineuses de classe d'efficacité énergétique G.

BESCHREIBUNG DES GERÄTS



- | | |
|-------------------------------|----------------------|
| 6. Obere Abdeckung | 6. Gemüseschublade |
| 7. Gefrierfach | 7. Türablage |
| 8. Thermostat | 8. Flaschenhalter |
| 9. Glas Regal | 9. Verstellbare Füße |
| 10. Gemüseschubladenabdeckung | |

TRANSPORT UND INBETRIEBNAHME

Nehmen Sie das Gerät beim Transport an der Basis und kippen Sie es vorsichtig auf maximal 45°. Heben Sie das Gerät niemals am Türgriff an. Stellen Sie das Gerät nicht verkehrt herum oder horizontal auf. Schieben Sie den Kühlschrank auf die Rollenbeine, um ihn zu bewegen.

INSTALLATION

Stellen Sie den Kühlschrank auf einer ebenen und stabilen Oberfläche auf, um mögliche Geräusche und Vibrationen des Geräts zu vermeiden. Der Kühlschrank sollte so aufgestellt werden, dass der Auslass leicht zugänglich ist.

Wählen Sie einen trockenen, gut belüfteten Ort. Lassen Sie rund um den Kühlschrank einen Abstand von mindestens 10 mm und oben einen Abstand von 20 mm.

Stellen Sie den Kühlschrank nicht in einer korrosiven Atmosphäre auf.

Warten Sie 12 bis 24 Stunden, bevor Sie das Gerät anschließen.

WARNUNG !

Bei der Installation Ihres Kühlgeräts ist es wichtig, die Klimaklasse des Produkts zu berücksichtigen. Um herauszufinden, zu welcher Klimaklasse Ihr Kühlschrank gehört, überprüfen Sie bitte das unten abgebildete Typenschild: Das Kühlgerät funktioniert je nach Klimaklasse innerhalb des in der Tabelle angegebenen Umgebungstemperaturbereichs ordnungsgemäß.

Klassenzimmer	Symbol	Durchschnittliche Umgebungstemperatur ° C.
gemäßigt vergrößert	SN	von + 10 bis + 32
gemäßigt	N	von + 16 bis + 32
subtropisch	ST	von + 16 bis + 38
Tropisch	T.	von + 16 bis + 43

STANDORT

Das Gerät muss nicht in der Nähe von Wärmequellen wie Heizkörpern, Kesseln, direkter Sonneneinstrahlung usw. installiert werden.

Stellen Sie sicher, dass die Luft auf der Rückseite des Gehäuses frei zirkulieren kann. Um eine optimale Leistung zu gewährleisten, muss der Mindestabstand zwischen der Oberseite der Kabine und der Wandeinheit mindestens 100 mm betragen, wenn das Gerät unter einer überhängenden Wandeinheit aufgestellt wird.

Idealerweise sollte das Gerät nicht unter einer oberflächenmontierten Wandeinheit aufgestellt werden. Die genaue Nivellierung erfolgt durch einen oder mehrere verstellbare Füße am Boden des Schrankes.

Für Kühlgeräte mit Klimaklasse:

- Extended Temperature (SN): Dieses Kühlgerät ist für den Einsatz bei Umgebungstemperaturen zwischen 10 ° C und 32 ° C vorgesehen.
- gemäßigt (N): Dieses Kühlgerät ist für den Einsatz bei Umgebungstemperaturen zwischen 16 ° C und 32 ° C vorgesehen.
- subtropisch (ST): Dieses Kühlgerät ist für den Einsatz bei Umgebungstemperaturen zwischen 16 ° C und 38 ° C vorgesehen.
- tropisch (T): Dieses Kühlgerät ist für den Einsatz bei Umgebungstemperaturen zwischen 16 ° C und 43 ° C vorgesehen.

Bedeutung der Kennzeichnung * von Gefriergeräten:

1- (*), 2- (**) und 3-Sterne-Gefrierschränke (***) sind nicht zum Einfrieren frischer Lebensmittel geeignet.

2-Sterne- (**) und 3-Sterne- (***) Gefrierschränke eignen sich zur Aufbewahrung von gefrorenem (vorgefrorenem) Essen und Eis oder zur Herstellung von Eis und Eiswürfeln.

FÄCHER	STERNE (*)	ZIELTEMPERATUR FÜR DIE LAGERUNG	GEEIGNETE LEBENSMITTEL
TIEFKÜHLGERÄT	(***)*	≤ -18 °C	<ul style="list-style-type: none"> ➤ Geeignet für Meeresfrüchte (Fisch, Garnelen, Schalentiere), Süßwasser und Fleischprodukte ➤ Empfohlene Lagerdauer: 3 Monate ⓘ Geeignet zum Einfrieren frischer Lebensmittel
GEFRIERSCHRANK K/-FACH	***	≤ -18 °C	<ul style="list-style-type: none"> ➤ Geeignet für Meeresfrüchte (Fisch, Garnelen, Schalentiere), Süßwasser und Fleischprodukte ➤ Empfohlene Lagerdauer: 3 Monate ⓘ Nicht geeignet zum Einfrieren frischer Lebensmittel
GEFRIERSCHRANK K/-FACH	**	≤ -12 °C	<ul style="list-style-type: none"> ➤ Geeignet für Meeresfrüchte (Fisch, Garnelen, Schalentiere), Süßwasser und Fleischprodukte ➤ Empfohlene Lagerdauer: 2 Monate ⓘ Nicht geeignet zum Einfrieren frischer Lebensmittel

GEFRIERSCHRAN K/-FACH	*	≤ -6 °C	<ul style="list-style-type: none"> ➤ Geeignet für Meeresfrüchte (Fisch, Garnelen, Schalentiere), Süßwasser und Fleischprodukte ➤ Empfohlene Lagerdauer: 1 Monat ❗ Nicht geeignet zum Einfrieren frischer Lebensmittel
0* - FACH	-	-6 °C - 0 °C	<ul style="list-style-type: none"> ➤ Geeignet für frische Fleischprodukte (Schwein, Rind, Huhn usw.) und verarbeitete Lebensmittel, die am selben Tag oder innerhalb der nächsten drei Tage nach Einlagerung (max.) verzehrt oder zubereitet werden. ❗ Nicht geeignet zum Einfrieren von Lebensmitteln oder zum Lagern tiefgekühlter Lebensmittel.



Warnung ! Das Gerät muss vom Stromnetz getrennt werden können. Der Stecker muss daher nach der Installation leicht zugänglich sein.

VERWENDEN

Reinigen Sie vor dem ersten Gebrauch alle Teile des Kühlschranks mit einem weichen, in lauwarmem Wasser angefeuchteten Tuch und einem milden Reinigungsmittel. Spülen Sie sie gründlich mit sauberem Wasser ab und trocknen Sie sie mit einem trockenen Tuch.

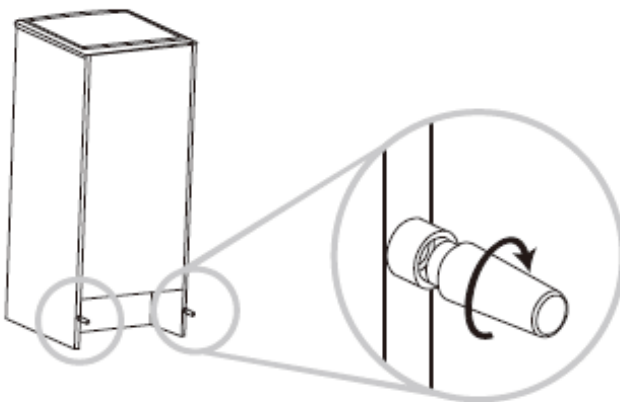
Hinweis: Die elektrischen Teile des Kühlschranks können nur mit einem trockenen Tuch gereinigt werden.

Stellen Sie den Thermostatknopf auf Position "3" und schalten Sie das Gerät ein. Der Kompressor arbeitet und die Innenbeleuchtung des Kühlschranks geht an.

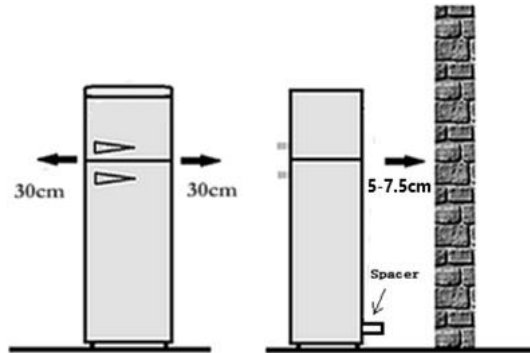
Schließen Sie die Tür. Wenn die Temperatur im Kühlschrank nach 30 Minuten erheblich sinkt, zeigt dies, dass das Kühlsystem ordnungsgemäß funktioniert. Wenn der Kühlschrank eine Weile gelaufen ist, wird die Temperatur an die vorgenommene Einstellung angepasst, vorausgesetzt, Sie lassen die Tür nicht zu lange offen.

Wenn die obigen Schritte erfolgreich ausgeführt wurden, sind die Einrichtungsvorgänge abgeschlossen. Der Kühlschrank funktioniert normal.

Das Gerät wird mit zwei Plastikspitzen geliefert (in der Plastiktüte der Bedienungsanleitung). Nach dem Anbringen dieser Endkappen kann das Gerät nicht gegen die Wand gedrückt werden, um eine ausreichende Belüftung zu gewährleisten. Setzen Sie die Endkappen in die entsprechenden Öffnungen auf der Rückseite des Geräts ein und schrauben Sie sie an.



Stellen Sie das Gerät mit einem freien Abstand von höchstens 50-75 mm an eine Wand



TEMPERATURKONTROLLE

Die Temperaturen im Kühlraum und im Gefrierraum werden vom Thermostat oben im Kühlschrankraum geregelt.

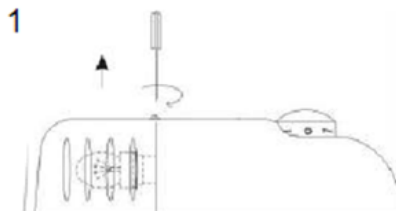
Drehen Sie den Thermostatkopf, um die Temperatur im Kühlschrank einzustellen. Es gibt 7 Temperatureinstellungen am Thermostat: "0" bis "7". Die erste Einstellung "0" bedeutet "AUS", während die 7. Einstellung "7" die niedrigste Temperatur im Kühlschrank anzeigt. Drehen Sie den Thermostatkopf von Position "1" auf "7", die Temperatur nimmt allmählich ab.

Stellen Sie den Thermostatkopf während des normalen Gebrauchs auf "3" oder "4".

Austausch der Lampe

Wenn das Licht nicht mehr funktioniert, prüfen Sie, ob die Glühbirne richtig eingeschraubt ist. Wenn das Licht immer noch nicht funktioniert, müssen Sie die Glühbirne austauschen.

1. Verwenden Sie eine neue Glühbirne von max. 10W E14 (220-240V ~). Trennen Sie das Gerät vom Stromnetz;
2. Öffnen Sie die Lampenabdeckung (1);
3. Schrauben Sie die defekte Glühbirne gegen den Uhrzeigersinn heraus; schrauben Sie die neue Glühbirne im Uhrzeigersinn ein; bringen Sie die Lampenabdeckung wieder an;
4. Schließen Sie das Gerät wieder an.



ESSENSLAGER

- Wie benutzt man das Gefrierfach?
Legen Sie frische Lebensmittel wie Fisch und Fleisch in das Gefrierfach, um den Geschmack und die Nährstoffe zu erhalten. Verpacken Sie Lebensmittel, die eingefroren werden müssen, in Aluminiumfolie oder in luftdichten Plastikboxen.
Setzen Sie frische Lebensmittel nicht in direkten Kontakt mit anderen bereits gefrorenen Lebensmitteln.
Wenn Sie Tiefkühlkost kaufen, bewahren Sie diese bitte so bald wie möglich im Gefrierfach auf. Ein aufgetautes Produkt niemals wieder einfrieren.
- Wie benutzt man das Kühlfach?
Eier und Flaschen müssen in den dafür vorgesehenen Räumen platziert werden.
Gemüse und Obst sollten in die Gemüseschublade gelegt werden. Die Gläser sollten in die Regale der Kühlschranktür gestellt werden. Andere Lebensmittel, die leicht verderblich sind oder im Kühlschrank einen schlechten Geruch abgeben können, sollten separat verpackt werden.
- Platzierung von Lebensmitteln
Achten Sie darauf, dass Sie keine Lebensmittel in den Kühlschrank stellen. Lebensmittel sollten separat in Aluminiumfolie oder in luftdichten Plastikboxen verpackt werden.
Stellen Sie keine warmen Lebensmittel in den Kühlschrank, um Energie zu sparen.
Warten Sie, bis sie gut abgekühlt sind, bevor Sie sie aufbewahren.
Stellen Sie niemals Gemüse oder Obst in das Gefrierfach.

DEFROST

L. Wenn das Gerät längere Zeit in Betrieb war, kann die Unterseite des Gefrierfachs mit einem Frostfilm bedeckt sein. Dies führt zu einem erhöhten Stromverbrauch und verringert die Effizienz Ihres Geräts. Ihr Gefrierfach sollte einmal im Monat aufgetaut werden.

Ziehen Sie beim Auftauen den Stecker aus der Steckdose, öffnen Sie die Tür und entfernen Sie alle Lebensmittel. Bewahren Sie das Essen dann an einem kühlen Ort auf. Verwenden Sie einen Schaber Kunststoff, um Frost zu entfernen. Wischen Sie dann das Gefrierfach mit einem weichen, trockenen Tuch ab.

Hinweis: Verwenden Sie niemals ein Metallgerät, um das Gefrierfach abzutauen, um eine Beschädigung zu vermeiden.

WARNUNG: Verwenden Sie keine anderen mechanischen Geräte als die vom Hersteller empfohlenen, um das Abtauen zu beschleunigen.

WARTUNG UND REINIGUNG

- Das Gerät sollte mindestens einmal im Monat gereinigt werden.
- Stellen Sie vor dem Reinigen sicher, dass das Gerät ausgeschaltet und vom Stromnetz getrennt ist.
- Entfernen Sie alle Zubehörteile. Waschen Sie sie in lauwarmem Wasser mit einem milden Reinigungsmittel (z. B. Spülmittel), spülen Sie sie mit Bleichmittel ab und trocknen Sie sie gründlich ab.
- Wischen Sie die Innen- und Außenseite des Kühlschranks mit einem feuchten, weichen Tuch ab.
- Wenn das Gerät zu schmutzig ist, reinigen Sie es mit einem weichen Tuch, das mit etwas mildem Reinigungsmittel angefeuchtet ist, spülen Sie das Gerät gründlich aus und trocknen Sie es mit einem weichen Tuch.

Wenn Sie in den Urlaub fahren oder das Gerät längere Zeit nicht benutzen müssen, gehen Sie wie folgt vor:

- Schalten Sie das Gerät aus und ziehen Sie den Netzstecker aus der Steckdose.
- Entfernen Sie alle Lebensmittel.
- Reinigen und trocknen Sie das Innere des Geräts gemäß den obigen Anweisungen.
- Lassen Sie die Gerätetür offen, um schlechte Gerüche zu vermeiden.

Reinigung

Stellen Sie vor dem Reinigen sicher, dass das Gerät ausgeschaltet und vom Stromnetz getrennt ist.

Verwenden Sie zum Reinigen des Geräts ein weiches, in Wasser oder nicht scheuerndes Reinigungsmittel getränktes Tuch. Wischen Sie dann die Feuchtigkeit mit einem weichen, trockenen Tuch ab.

Denken Sie daran, die Wassersammelschale hinten über der Glasabdeckung zu reinigen.

Drehen Sie die Türöffnungsrichtung um

Der Kühlschrank wurde mit den Türscharnieren rechts gebaut. Befolgen Sie die folgenden Anweisungen, wenn Sie die Öffnungsrichtung der Tür ändern möchten:

1. Entfernen Sie die Abdeckung (1). Entfernen Sie die vier Schrauben (2) (3) und entfernen Sie die obere Abdeckung
2. Entfernen Sie die beiden Schrauben (4), die das obere Scharnier (5) halten, und entfernen Sie dieses obere Scharnier (5).
3. Lösen Sie die Mutter (7) und entfernen Sie den Stift (6). Drehen Sie das Scharnier oben (5) um und sichern Sie den Stift (6) und die Mutter (7).
4. Heben Sie die Tür an und legen Sie sie auf eine gepolsterte Oberfläche, um Kratzer zu vermeiden.

5. Entfernen Sie den Fuß (8). Entfernen Sie die drei Schrauben (9), mit denen das untere Scharnier (10) befestigt ist, und entfernen Sie das untere Scharnier (10).
6. Lösen Sie die Schraube (12), entfernen Sie den Fuß (13) und bewegen Sie ihn dann nach rechts.
7. Entfernen Sie den Stift (11) und kehren Sie die Richtung des unteren Scharniers (10) um. Das untere Scharnier (10) mit drei Schrauben (9) an der linken Seite anbringen.
8. Setzen Sie den Stift (11) in das untere Scharnier (10) ein.
9. Entfernen Sie den Scharnierstift (14) (15) (16), der sich unten an der Tür befindet. Setzen Sie auf der anderen Seite der Tür den Ersatzscharnierstift ein, der mit diesem Gerät geliefert wird.
10. Setzen Sie die Tür ein und stellen Sie sicher, dass die Tür sicher am unteren Scharnier (10) befestigt ist.
11. Das obere Scharnier (5) mit zwei Schrauben (4) befestigen.
12. Befestigen Sie die obere Abdeckung mit vier Schrauben (2) (3) und setzen Sie die Abdeckungen (1) auf die Schrauben (2).

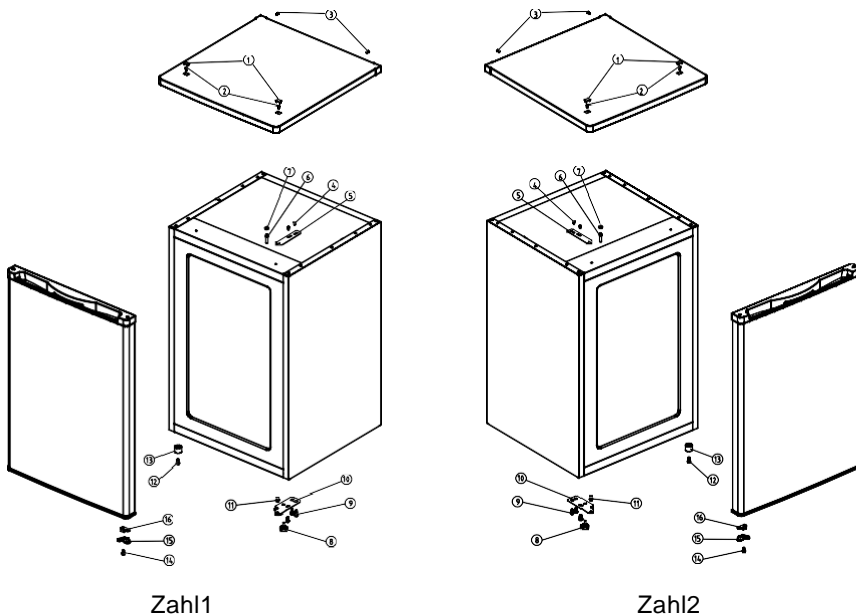


Abbildung 1: Die Position der Komponenten vor dem Umkehren der Tür

Abbildung 2: Position der Komponenten nach dem Umkehren der Tür

Wenn Sie auch die Öffnungsrichtung der Tür des internen Gefrierfachs ändern möchten, befolgen Sie die folgenden Anweisungen:

1. Entfernen Sie die Schraube (1) und entfernen Sie den Verriegelungsknopf (2).
2. Entfernen Sie die beiden Schrauben (3), mit denen die untere Achsabdeckung (4) befestigt ist, und entfernen Sie diese Abdeckung.
3. Entfernen Sie die Tür und legen Sie sie auf eine gepolsterte Oberfläche, um Kratzer zu vermeiden.
4. Entfernen Sie die obere Achsabdeckung (5) und bringen Sie sie in die entgegengesetzte Position.
5. Drehen Sie die Tür um 180 ° und setzen Sie sie auf die obere Achsabdeckung.
6. Die untere Achsabdeckung (4) mit den beiden Schrauben (3) befestigen.
7. Den Verriegelungsknopf (2) mit einer Schraube (1) sichern.

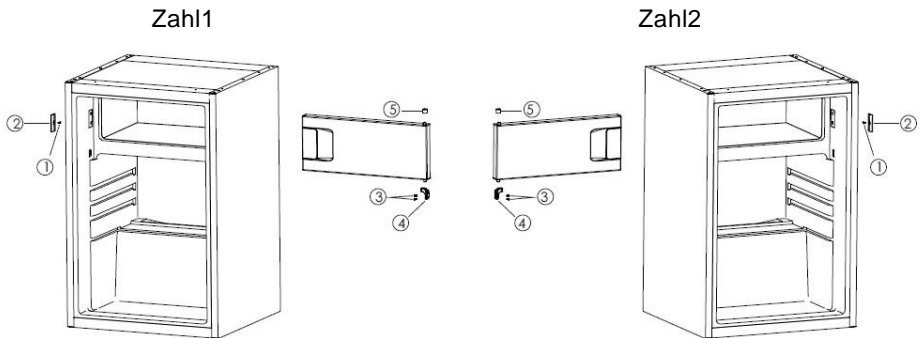


Abbildung 1: Die Position der Komponenten vor dem Umkehren der Tür

Abbildung 2: Position der Komponenten nach dem Umkehren der Tür

HINWEIS - ENERGIESPAREN

- Stellen Sie das Gerät in einem kühlen, trockenen und ausreichend belüfteten Raum auf.
- Achten Sie darauf, das Gerät keinem direkten Sonnenlicht auszusetzen und stellen Sie es niemals in die Nähe einer direkten Wärmequelle (z. B. in der Nähe eines Heizkörpers).

- Blockieren Sie niemals die Lüftungsöffnungen oder Gitter des Geräts.
- Lassen Sie die Lebensmittel abkühlen, bevor Sie sie in das Gerät stellen.
- Legen Sie gefrorene Produkte in den Kühlschrank, um sie aufzutauen.
- Die niedrige Temperatur von Tiefkühlprodukten hilft, die Lebensmittel im Kühlschrank abzukühlen.
- Lassen Sie die Gerätetüren nicht lange offen, wenn Sie Lebensmittel aufbewahren oder aus dem Gerät entfernen.
- Wenn Sie Lebensmittel einfrieren oder im Gefrierschrank aufbewahren möchten, legen Sie sie direkt in das obere Gefrierfach.

FEHLERBEHEBUNG

Symptom	Grund	Lösung
Das Gerät funktioniert nicht	Keine Stromversorgung	Stellen Sie sicher, dass das Gerät angeschlossen ist und die Steckdose normal funktioniert
	Die Sicherung ist durchgebrannt.	Ersetzen Sie die Sicherung
Das Gerät macht viel Lärm	Das Gerät ist nicht parallel zum Boden. Das Gerät befindet sich zu nahe an der Wand oder das Innenzubehör des Kühlschranks ist falsch platziert.	Stabilisieren Sie den Boden des Kühlschranks, indem Sie die Position der Füße anpassen. Bewegen Sie das Gerät von der Wand weg. Positionieren Sie das Innenzubehör des Kühlschranks richtig.
Das Gerät erreicht nicht die gewünschte Temperatur.	Die Tür wird zu oft geöffnet oder wurde lange offen gelassen.	Schließen Sie die Tür und öffnen Sie sie nicht zu häufig.
	Der Kühlschrank ist zu nahe an der Wand.	Bewegen Sie das Gerät von der Wand weg, um sicherzustellen, dass es ordnungsgemäß funktioniert.
	Der Kühlschrank ist zu voll.	Entfernen Sie Lebensmittel aus dem Gerät.
	Die Temperatur ist falsch geregelt.	Drehen Sie den Thermostatknopf in die Position "3" oder mehr.

Das Gerät stößt unangenehme Gerüche aus.	Lebensmittel sind im Kühlschrank abgelaufen.	Werfen Sie abgelaufene Lebensmittel weg und wickeln Sie andere Lebensmittel ein.
	Das Innere des Geräts muss gereinigt werden.	Reinigen Sie das Innere des Geräts.

Wenn Ihr Gerät andere als die oben beschriebenen Symptome aufweist, wenden Sie sich bitte an das autorisierte Servicecenter des Geschäfts oder an den Händler.

Die folgenden Symptome sind keine Fehler:

1. Das Geräusch von Kühlmittel, das durch die Rohre fließt, ist zu hören, dies ist normal.
2. Feuchtigkeit auf der Außenfläche des Geräts während der Regenzeit ist kein Problem. Wischen Sie die Oberflächen einfach mit einem weichen, trockenen Tuch ab.
3. Der Kompressor und der Kondensator können sich in Zeiten hoher Hitze stärker erwärmen.
4. Der Türrahmen ist etwas warm, was bedeutet, dass der Kondensator Feuchtigkeit aus der Luft entfernt.

GARANTIEAUSSCHLÜSSE:

Die Garantie gilt nicht für Verschleißteile des Produkts sowie für Probleme oder Schäden, die entstehen aus:

1. Oberflächenverschlechterung aufgrund normaler Abnutzung des Produkts;
2. Mängel oder Verschlechterung durch Kontakt des Produkts mit Lebensmitteln oder Flüssigkeiten und durch Korrosion durch Rost oder Vorhandensein von Insekten;
3. Jeder nicht autorisierte Vorfall, Missbrauch, Änderung, Demontage oder Reparatur;
4. Bei unsachgemäßer Wartung nicht gemäß den Anweisungen zum Produkt oder zum Anschluss an eine falsche Spannung verwenden.
5. Jede Verwendung von Zubehör, das nicht vom Hersteller geliefert oder genehmigt wurde.

Die Garantie erlischt, wenn das Typenschild und / oder die Seriennummer des Produkts entfernt werden.

VERFÜGUNG



Die Europäische Richtlinie 2012/19 / EU über Elektro- und Elektronikaltgeräte (WEEE) schreibt vor, dass gebrauchte Haushaltsgeräte nicht in den normalen Strom von Siedlungsabfällen geworfen werden dürfen. Gebrauchte Geräte müssen separat gesammelt werden, um die Rückgewinnungsrate und das Recycling der Materialien, aus denen sie bestehen, zu optimieren und die Auswirkungen auf die menschliche Gesundheit und die Umwelt zu verringern.

Das Symbol des durchgestrichenen Behälters ist an allen Produkten angebracht, um Sie an die Verpflichtungen einer separaten Sammlung zu erinnern. Verbraucher sollten sich bezüglich des Verfahrens zum Entfernen ihres Geräts an die örtlichen Behörden oder ihren Händler wenden.



**CET APPAREIL EST DESTINE À UN
USAGE DOMESTIQUE UNIQUEMENT !**

Veuillez lire attentivement toutes les instructions avant la première utilisation et conservez-les pour une référence ultérieure.

CONSIGNES DE SECURITE IMPORTANTES

Veuillez lire attentivement les instructions d'opérations suivantes avant de connecter votre nouvel appareil, elles contiennent des informations importantes sur la sécurité, la façon d'utiliser, d'installer et de maintenir votre appareil en état de fonctionnement. Veuillez garder ces instructions pour un usage ultérieur.

1. Cet appareil peut être utilisé par des enfants à partir de 8 ans et par des personnes ayant des capacités physiques, sensorielles ou mentales réduites ou un manque d'expérience et de connaissances à condition qu'elles aient été placées sous surveillance ou qu'elles aient reçu des instructions concernant

l'utilisation de l'appareil en toute sécurité et qu'elles comprennent les dangers encourus. Les enfants ne doivent pas jouer avec l'appareil. Le nettoyage et l'entretien par l'utilisateur ne doivent pas être effectués par des enfants, sans surveillance.

2. Avant de brancher l'appareil, assurez-vous que la tension de la prise secteur à votre domicile correspond à celle montrée sur la plaque signalétique.
3. Ne pas endommager le circuit de refroidissement. Cet avertissement n'est valable que pour les appareils dont le circuit de refroidissement est accessible par l'utilisateur.
4. Assurez-vous que l'appareil est débranché avant tout nettoyage.
5. Pour nettoyer cet appareil, utiliser un chiffon humide ou bien un produit de nettoyage pour les vitres. N'employez jamais de détergent ou de dissolvant.
6. Quand le dégivrage à été effectué, ou quand le réfrigérateur cesse

d'être utilisé, nettoyer l'appareil pour empêcher la propagation d'odeur. Un surplus de gel peut affecter la réfrigération.

7. Il est recommandé d'utiliser cet appareil sans prolongateur électrique.
8. Afin d'assurer une bonne ventilation de l'appareil, indispensable pour son bon fonctionnement, il est recommandé d'avoir un dégagement (ou espace) minimum de 10mm sur les côtés et à l'arrière et 20mm sur le dessus.
9. Ne pas placer de boisson ou plat chaud dans l'appareil.
10. Afin d'économiser la consommation d'électricité, garder la circulation de l'air autour de l'appareil et jeter les emballages des aliments avant de les mettre dans le réfrigérateur dès que cela est possible.
11. Ne pas y entreposer de matière toxique comme de l'éther, le méthanol, l'essence, etc., qui sont volatiles et peuvent brûler ou exploser.

12. Ne pas placer de matières inflammables dans le réfrigérateur à moins qu'elles aient été autorisées par le fabricant.
13. Refermez la porte après utilisation afin d'éviter les pertitions de température.
14. Ce produit ne doit pas être utilisé à l'extérieur et ne doit pas être exposé à la pluie.
15. L'appareil doit être placé sur une surface plane et stable.
16. L'appareil doit être placé de façon à ce que la prise de courant soit facilement accessible.
17. Ne pas poser d'objet lourd sur le réfrigérateur et ne pas le mouiller.
18. Pour éviter tout risque d'électrocution n'utilisez jamais cet appareil avec les mains humides ou pieds nus sur une surface humide.
19. Ne pas utiliser l'appareil à l'extérieur ou dans un endroit humide.
20. Ne pas déplacer l'appareil quand il est rempli afin d'éviter le basculement.

21. Le câble d'alimentation doit être branché sur une prise de terre. Ne tirez jamais sur le câble pour débrancher l'appareil, saisissez la fiche et tirez-la de la prise de courant.
22. Ne soulevez jamais l'appareil par le câble d'alimentation.
23. Maintenez le câble d'alimentation loin des surfaces chauffantes.
24. Ne pas essayer de réparer, régler ou remplacer vous-même des pièces de cet appareil. En cas de dysfonctionnement, contacter le service après-vente.
25. Il convient de surveiller les enfants pour s'assurer qu'ils ne jouent pas avec l'appareil.
26. Si le câble d'alimentation est endommagé, il doit être remplacé par le fabricant, son service après-vente ou des personnes de qualification similaire afin d'éviter tout danger.
27. Il est recommandé d'examiner régulièrement le câble

d'alimentation pour déceler tout signe de détérioration éventuelle, et l'appareil ne doit pas être utilisé si le câble est endommagé.

28. L'appareil est équipé d'une prise de terre pour vous protéger d'éventuels risques électriques et doit être branché sur un socle de prise de courant comportant un contact de terre.
29. Les appareils ne sont pas destinés à être mis en fonctionnement au moyen d'une minuterie extérieure ou par un système de commande à distance séparé.
30. MISE EN GARDE : Maintenir dégagées les ouvertures de ventilation dans l'enceinte de l'appareil, dans sa partie extérieure ou dans sa structure d'encastrement.
31. MISE EN GARDE : Ne pas endommager le circuit de réfrigération.
32. MISE EN GARDE : Ne pas utiliser de dispositifs mécaniques ou autres moyens pour accélérer le

processus de dégivrage, autres que ceux recommandés par le fabricant.

33. MISE EN GARDE : Ne pas utiliser d'appareils électriques à l'intérieur du compartiment de stockage des denrées, à moins qu'ils ne soient du type recommandé par le fabricant.
34. Cet appareil est destiné à être utilisé dans des applications domestiques.
35. AVERTISSEMENT : Lors du positionnement de l'appareil, s'assurer que le cordon d'alimentation n'est pas coincé ni endommagé.
36. AVERTISSEMENT : Ne pas placer de socles mobiles de prises multiples ni de blocs d'alimentation portables à l'arrière de l'appareil.
37. Les enfants âgés de 3 à 8 ans sont autorisés à charger et décharger des appareils de réfrigération.
38. Pour éviter la contamination des aliments, veuillez respecter les instructions suivantes :

- L'ouverture prolongée de la porte peut entraîner une augmentation significative de la température dans les compartiments de l'appareil.
- Nettoyez régulièrement les surfaces pouvant entrer en contact avec des aliments et des systèmes de drainage accessibles.
- Conservez la viande et le poisson crus dans des récipients appropriés au réfrigérateur, de sorte qu'ils ne soient pas en contact et qu'ils ne s'égouttent pas sur d'autres aliments.
- Les compartiments deux étoiles pour produits congelés sont adaptés à la conservation des aliments congelés, au stockage ou à la fabrication de glaces et pour la fabrication de glaçons.
- Les compartiments à une, deux et trois étoiles ne conviennent pas pour la congélation d'aliments frais.
- Si l'appareil de réfrigération reste vide pendant de longues périodes, éteignez-le, dégivrez, nettoyez,

séchez et laissez la porte ouverte pour éviter le développement de moisissure dans l'appareil.

39. Placez l'appareil contre un mur dont la distance libre ne dépasse pas 75 mm et dépasse 50 mm.
40. Cet appareil de réfrigération n'est pas destiné à être utilisé comme un appareil encastré.
41. Durée de stockage des aliments surgelés recommandée dans le congélateur. Ces durées varient en fonction du type d'aliment. Les aliments que vous congelez peuvent être conservés de 1 à 12 mois (minimum à -18°C).

Aliments	Durée de congélation
Bacon, ragoût, lait	1 mois
Pain, glace, saucisses, tartes, fruits de mer préparés, poissons gras	2 mois
Poissons non gras, fruits de mer, pizzas, scones et muffins	3 mois
Jambon, gâteaux, biscuits, boeuf, côtelettes d'agneau, morceaux de volaille	4 mois
Beurre, légumes (blanchis), oeufs entiers et jaunes d'oeufs, écrevisses cuites, viande hachée (cru), porc (cru)	6 mois
Fruits (secs ou en sirop), blancs d'oeufs, boeuf (cru), poulet entier, agneau (cru), gâteaux aux fruits	12 mois

42. Lorsque vous congelez des aliments frais comportant une « date de péremption / limite d'utilisation / date de consommation », vous devez les congeler avant l'expiration de cette date.
43. Vérifiez que les aliments n'ont pas déjà été congelés. En effet, les aliments congelés qui ont complètement décongelé ne doivent pas être recongelés. Une fois décongelés, les aliments doivent être consommés rapidement.
- Pour éviter l'altération des aliments due au transfert de germes : Rangez les produits animaux et végétaux non emballés séparément dans les tiroirs. Ceci s'applique également aux différentes sortes de viande.
 - Si les aliments doivent être conservés ensemble par manque de place : enveloppez-les.

- Ne conservez jamais les fruits et légumes sur un balcon avec de la viande ou du poisson.

Alimentation	Durée de stockage
Beurre	90 jours
Fromage à pâte dure	110 jours
Lait	7 jours
Saucisse, charcuterie	9 jours
Viande	7 jours

Seul un technicien habilité peut changer la lampe en cas de panne.



Convient pour aliments

Frigorigène



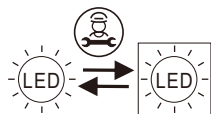
Danger; risque d'incendie/
matières inflammables

Danger ; risque d'incendie/
matières inflammables

Le gaz frigorigène contenu dans le circuit de cet appareil est de l'isobutane (R 600à), gaz peu polluant mais inflammable. Lors du transport et de l'installation de l'appareil, veiller à n'endommager aucune partie du circuit frigorifique.

AVERTISSEMENT : Lors du positionnement de l'appareil, s'assurer que le cordon d'alimentation n'est pas coincé ni endommagé.

AVERTISSEMENT : Ne pas placer de socles mobiles de prises multiples ni de blocs d'alimentation portables à l'arrière de l'appareil.

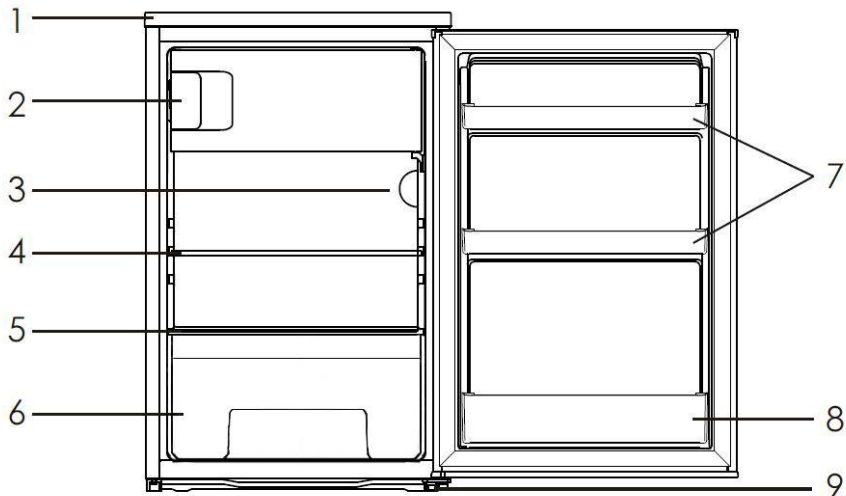


Source lumineuse

remplaçable (LED uniquement) par un professionnel.

Ce produit contient deux sources lumineuses de classe d'efficacité énergétique G.

DESCRIPTION DE L'APPAREIL



- | | |
|--------------------------------|--------------------------|
| 1. Couvercle supérieur | 6. Bac à légumes |
| 2. Compartiment de congélation | 7. Balconnet de la porte |
| 3. Thermostat | 8. Porte-bouteilles |
| 4. Clayette en verre | 9. Pieds réglables |
| 5. Couvercle du bac à légumes | |

TRANSPORT ET MISE EN ROUTE

Lors du transport, prenez l'appareil par la base et inclinez-le doucement jusqu'à 45° maximum. Ne soulevez jamais l'appareil par la poignée de porte. Ne mettez pas l'appareil à l'envers ni à l'horizontale. Poussez le réfrigérateur sur les pieds à roulettes afin de le déplacer.

INSTALLATION

Installez le réfrigérateur sur une surface plane et stable afin d'éviter le bruit et les vibrations éventuels de l'appareil.

Le réfrigérateur doit être placé de façon à ce que la prise de courant soit facilement accessible.

Choisissez un endroit sec et bien aéré. Laissez un espace de 10mm minimum tout autour du réfrigérateur et 20mm sur le dessus.

N'installez pas le réfrigérateur dans une atmosphère corrosive.

Attendez 12 à 24 heures avant de brancher l'appareil.

ATTENTION !

Quand vous installez votre appareil frigorifique, il est important de tenir compte de la classe climatique du produit. Pour savoir à quelle classe climatique appartient votre réfrigérateur, veuillez contrôler la plaque des données comme indiquée ci-après : L'appareil frigorifique fonctionne correctement dans l'intervalle de température ambiante indiqué sur le tableau, selon la classe climatique.

Classe	Symbole	Température ambiante moyenne °C
tempérée élargie	SN	de + 10 à + 32
tempérée	N	de + 16 à + 32
subtropicale	ST	de + 16 à + 38
Tropicale	T	de + 16 à + 43

LIEU

L'appareil doit être installé loin des sources de chaleur telles que les radiateurs, les chaudières, les rayons directs du soleil, etc.

Veillez à ce que l'air puisse circuler librement à l'arrière de l'armoire. Pour assurer un rendement optimal, si l'appareil est placé sous une unité murale en surplomb, la distance minimale entre le haut de la cabine et l'unité murale doit être d'au moins 100 mm.

Dans l'idéal, l'appareil ne doit pas être placé sous une unité murale en saillie. La mise à niveau précise est assurée par un ou plusieurs pieds réglables à la base de l'armoire.

Pour les appareils frigorifiques avec une classe climatique :

- tempérée étendue (SN) : cet appareil frigorifique est destiné à être utilisé à des températures ambiantes comprises entre 10° C et 32° C ;
- tempérée (N) : cet appareil frigorifique est destiné à être utilisé à des températures ambiantes comprises entre 16° C et 32° C ;
- subtropicale (ST) : cet appareil frigorifique est destiné à être utilisé à des températures ambiantes comprises entre 16° C et 38° C ;
- tropical (T) : cet appareil frigorifique est destiné à être utilisé à des températures ambiantes comprises entre 16° C et 43° C.

Signification de l'étiquetage* des congélateurs:

- Les congélateurs 1- (*), 2- (**), et 3 étoiles (***) ne conviennent pas pour congeler des aliments frais.
- Les congélateurs 2 étoiles (**) et 3 étoiles (***) conviennent pour stocker des aliments surgelés (pré-congelés) et de la glace ou pour faire de la glace et des glaçons.

COMPARTIMENTS	ÉTOILES (*)	TEMPERATURE DE STOCKAGE CIBLE	ALIMENTS APPROPRIES
CONGELATEUR	(***)*	≤ -18 °C	<ul style="list-style-type: none"> ➤ Convient aux fruits de mer (poissons, crevettes, crustacés), eau douce et produits carnés. ➤ Durée de conservation recommandée : 3 mois i Convient pour congeler des aliments frais
CONGELATEUR	***	≤ -18 °C	<ul style="list-style-type: none"> ➤ Convient aux fruits de mer (poissons, crevettes, crustacés), eau douce et produits carnés. ➤ Durée de conservation recommandée : 3 mois i <u>Ne convient pas</u> pour congeler des aliments frais.
CONGELATEUR	**	≤ -12 °C	<ul style="list-style-type: none"> ➤ Convient aux fruits de mer (poissons, crevettes, crustacés), eau douce et produits carnés. ➤ Durée de conservation recommandée : 2 mois i <u>Ne convient pas</u> pour congeler des aliments frais.

CONGELATEUR	*	$\leq -6\text{ }^{\circ}\text{C}$	<ul style="list-style-type: none"> ➤ Convient aux fruits de mer (poissons, crevettes, crustacés), eau douce et produits carnés. ➤ Durée de conservation recommandée : 1 mois <p>i <u>Ne convient pas</u> pour congeler des aliments frais.</p>
0* - COMPARTIMENT	-	$-6\text{ }^{\circ}\text{C} - 0\text{ }^{\circ}\text{C}$	<ul style="list-style-type: none"> ➤ Convient aux produits à base de viande fraîche (porc, bœuf, poulet, etc.) et aux aliments transformés consommés ou transformés le jour même ou dans les trois jours suivant le stockage (max.). <p>i <u>Ne convient pas</u> pour congeler des aliments ou pour conserver des aliments surgelés.</p>



Attention ! L'appareil doit pouvoir être débranché du réseau électrique ; la fiche doit donc être facilement accessible après l'installation.

UTILISATION

Avant la première utilisation, nettoyez tous les éléments du réfrigérateur avec un chiffon doux imbibé dans de l'eau tiède et un détergent doux. Rincez-les soigneusement avec de l'eau propre et séchez-les avec un chiffon sec.

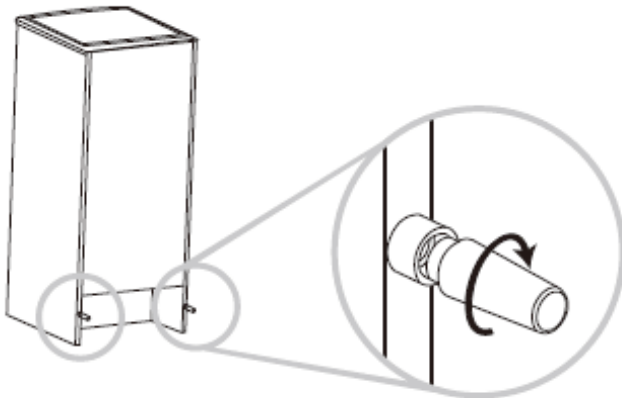
Remarque : Les parties électriques du réfrigérateur peuvent être nettoyées uniquement avec un chiffon sec.

Placez le bouton du thermostat sur la position «3 », puis allumez l'appareil. Le compresseur fonctionne et la lumière intérieure du réfrigérateur s'allume.

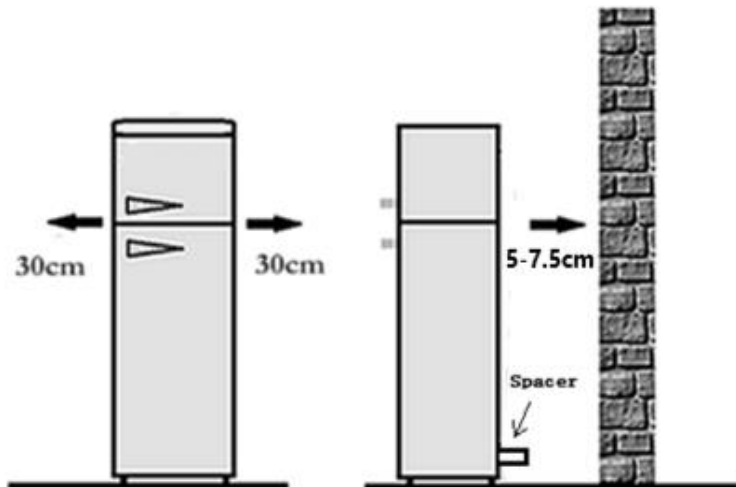
Fermez la porte. Après 30 minutes, si la température dans le réfrigérateur descend de façon significative, cela montre que le système de réfrigération fonctionne correctement. Lorsque le réfrigérateur fonctionne depuis un certain temps, la température s'ajuste au réglage effectué à condition de ne pas laisser la porte ouverte trop longtemps.

Si les étapes ci-dessus ont été effectuées avec succès, les opérations de mise en place sont terminées. Le réfrigérateur fonctionne normalement.

L'appareil est fourni avec deux embouts en plastique (dans le sac en plastique du manuel d'utilisation). Après l'installation de ces embouts, l'appareil ne peut plus être poussé contre le mur pour assurer une ventilation adéquate. Insérez les embouts dans les ouvertures correspondantes à l'arrière de l'appareil, puis vissez-les.



Placez l'appareil contre un mur avec une distance libre ne dépassant pas 50-75mm



CONTROLE DE LA TEMPERATURE

Les températures dans le compartiment de réfrigération et le compartiment de congélation sont contrôlés par le thermostat situé en haut du compartiment de réfrigération.

Tournez le bouton du thermostat pour régler la température à l'intérieur du réfrigérateur. Il y a 7 réglages de la température sur le thermostat : de

«0 » à «7 ». Le premier réglage «0 » signifie « ARRET » tandis que le 7ème réglage «7 » indique la température la plus basse dans le réfrigérateur. Tournez le bouton du thermostat de la position « 1 » à «7 », la température diminue graduellement.

Réglez le bouton du thermostat sur la position «3 » ou «4 » pendant l'utilisation normale.

CONSERVATION DES ALIMENTS

- Comment utiliser le compartiment de congélation ?
Placez les aliments frais tels que le poisson, la viande dans le compartiment de congélation afin de préserver leurs goûts et leurs nutriments.
Emballez les aliments qui doivent être congelés dans une feuille d'aluminium ou dans des boîtes en plastique hermétiques.
Ne mettez pas des aliments frais en contact direct avec d'autres aliments déjà congelés.
Si vous achetez des aliments surgelés, veuillez à les conserver dans le compartiment de congélation le plus vite possible.
Ne recongelez jamais un produit décongelé.
- Comment utiliser le compartiment de réfrigération ?
Les œufs et les bouteilles doivent être placés dans les emplacements réservés à cet effet.
Les légumes et les fruits doivent être mis dans le bac à légumes. Les bocaux doivent être placés dans les balconnets de la porte du réfrigérateur.
Autres aliments périssables ou qui peuvent dégager une mauvaise odeur dans le réfrigérateur, doivent être emballés séparément.
- Mise en place des aliments
Veillez à ne pas placer excessivement des aliments dans le réfrigérateur. Les aliments doivent être enveloppés séparément dans une feuille d'aluminium ou dans les boîtes en plastique hermétiques.
Afin d'économiser la consommation énergétique, ne placez pas les aliments chauds dans le réfrigérateur.
Attendez jusqu'à ce qu'ils soient bien refroidis avant de les conserver.
Ne placez jamais de légumes ou de fruits dans le compartiment de congélation.

DEGIVRAGE

Lorsque l'appareil fonctionne depuis une longue période, la surface inférieure du compartiment de congélation peut se couvrir d'une pellicule de givre. Cela entraîne une augmentation de la consommation électrique et diminue l'efficacité de votre appareil. Votre compartiment de congélation doit être dégivré une fois par mois.

Lors du dégivrage, débranchez l'appareil, ouvrez la porte et retirez tous les aliments. Puis stockez les aliments dans un endroit frais. Utilisez un grattoir en plastique pour retirer le givre. Puis essuyez le compartiment de congélation avec un chiffon doux et sec.

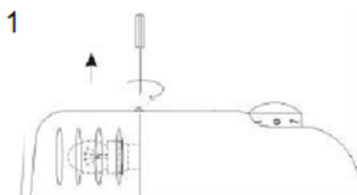
Remarque : N'utilisez jamais d'ustensile métallique pour dégivrer le compartiment de congélation afin de ne pas l'endommager.

AVERTISSEMENT: N'utilisez pas d'appareil mécanique ou d'autre façon pour accélérer le dégivrage autre que ceux recommandés par le fabricant.

Remplacement de la lampe

Si la lumière ne fonctionne plus, vérifiez si l'ampoule est bien vissée. Si la lumière ne fonctionne toujours pas, il est nécessaire de changer l'ampoule.

1. Utilisez une nouvelle ampoule de Max 10W E14 (220-240V ~). Débranchez l'appareil ;
2. Ouvrez le couvercle de la lampe (1) ;
3. Dévissez l'ampoule défectueuse dans le sens inverse des aiguilles d'une montre ; Vissez la nouvelle ampoule dans le sens des aiguilles d'une montre ; Remplacez le couvercle de la lampe ;
4. Rebranchez l'appareil.



ENTRETIEN ET NETTOYAGE

- L'appareil devrait être nettoyé au moins une fois par mois.
- Avant le nettoyage, veillez à éteindre et débrancher l'appareil.
- Retirez tous les accessoires. Lavez-les à l'eau tiède additionnée d'un détergent doux (produit vaisselle par exemple), rincez à l'eau javellisée et séchez soigneusement.
- Essuyez l'intérieur et l'extérieur du réfrigérateur avec un chiffon humide et doux.
- Si l'appareil est trop sale, nettoyez-le avec un chiffon doux trempé d'un peu de détergent doux, rincez l'appareil soigneusement et séchez-le avec un chiffon doux.

Si vous devez partir en vacances ou ne pas utiliser l'appareil pendant une longue période, veuillez procéder comme suit :

- Eteignez l'appareil et débranchez-le de la prise de courant.
- Retirez tous les aliments.
- Nettoyez et séchez l'intérieur de l'appareil en suivant les instructions susmentionnées.
- Laissez la porte de l'appareil ouverte afin d'éviter toute mauvaise odeur.

Nettoyage

Avant le nettoyage, veillez à éteindre et débrancher l'appareil.

Utilisez un chiffon doux trempé de l'eau ou de détergent non abrasif pour nettoyer l'appareil. Puis retirez l'humidité avec un chiffon doux et sec. Pensez à nettoyer le bac de récupération de l'eau situé à l'arrière, au-dessus du couvercle en verre.

INVERSION DU SENS D'OUVERTURE DE LA PORTE

Le réfrigérateur a été construit avec les charnières de la porte sur la droite. Si vous voulez changer le sens d'ouverture de la porte, veuillez suivre les instructions suivantes :

1. Retirez le couvercle (1). Retirez les quatre vis (2) (3) et enlevez le couvercle supérieur
2. Retirez les deux vis (4) qui tiennent la charnière du haut (5) et enlevez cette charnière du haut (5).
3. Dévissez l'écrou (7) et enlevez la goupille (6). Inversez la charnière en haut (5) et fixez la goupille (6) et l'écrou (7).
4. Soulevez la porte et placez-la sur une surface rembourrée afin d'éviter de la rayer.
5. Retirez le pied (8). Retirez les trois vis (9) qui tiennent la charnière du bas (10) et assurez-vous d'enlever cette charnière du bas (10).
6. Dévissez la vis (12) et enlevez le pied (13), puis déplacez-le sur le côté droit.
7. Enlevez la goupille (11) et inversez le sens de la charnière du bas (10). Installez la charnière du bas (10) dans le côté gauche avec trois vis (9).

8. Insérez la goupille (11) sur la charnière du bas(10).
9. Enlevez la goupille de la charnière (14) (15) (16) qui se trouve dans le bas de la porte. De l'autre côté de la porte, insérez la goupille de la charnière de remplacement qui est fourni avec cet appareil.
10. Mettez la porte en place et assurez-vous que la porte soit bien fixée sur la charnière du bas (10).
11. Fixez la charnière du haut (5) avec deux vis (4).
12. Fixez le couvercle supérieur avec quatre vis (2) (3) puis placez les caches (1) sur les vis (2).

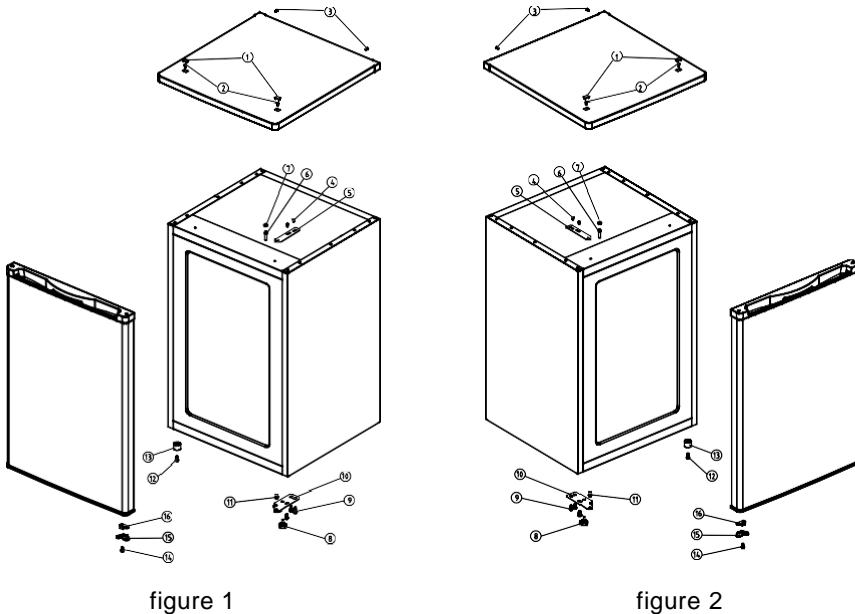


figure 1

figure 2

Figure 1 : la position des composants avant l'inversion de la porte

Figure 2 : la position des composants après l'inversion de la porte

Si vous voulez aussi changer le sens d'ouverture de la porte interne du compartiment de congélation, veuillez à suivre les instructions ci-dessous :

1. Retirez la vis (1) et enlevez le bouton de verrouillage (2).
2. Retirez les deux vis (3) qui tient le couvercle de l'axe du bas (4) et enlevez ce couvercle.
3. Retirez la porte et placez- la sur une surface rembourrée afin d'éviter de la rayer.
4. Retirez le couvercle de l'axe du haut (5) et déplacez- la à la position opposée.
5. Tournez la porte à 180° et mettez- la au couvercle de l'axe du haut.
6. Fixez le couvercle de l'axe du bas (4) avec les deux vis (3).
7. Fixez le bouton de verrouillage (2) avec une vis (1).

figure 1

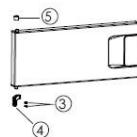
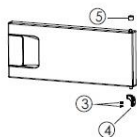
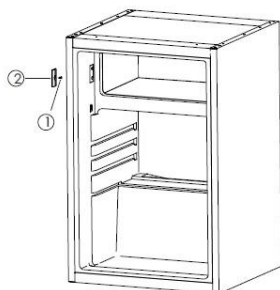


figure 2

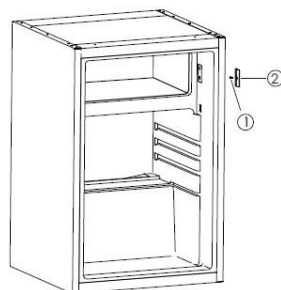


Figure 1 : la position des composants avant l'inversion de la porte
Figure 2 : la position des composants après l'inversion de la porte

CONSEILS - ECONOMIES D'ENERGIE

- Installez l'appareil dans une pièce tempérée, sèche et convenablement aérée.
- Veillez à ne pas exposer l'appareil aux rayons solaires et ne le placez jamais à proximité d'une source directe de chaleur (près d'un radiateur, par exemple).
- Ne bouchez jamais les orifices ou grilles d'aération de l'appareil.
- Laissez refroidir les aliments avant de les placer dans l'appareil.
- Placez les produits congelés dans le réfrigérateur pour les décongeler.
- La basse température des produits congelés contribuera au refroidissement des aliments se trouvant dans le réfrigérateur.
- Ne laissez pas les portes de l'appareil ouvertes pendant trop longtemps lorsque vous rangez ou retirez des aliments de l'appareil.
- Lorsque vous congélez des aliments ou que vous voulez en stocker dans le congélateur, placez-les directement dans le bac supérieur du congélateur.

DEPANNAGE

Symptôme	Raison	Solution
L'appareil ne fonctionne pas	Pas d'alimentation électrique	Assurez-vous que l'appareil est bien branché et que la prise murale fonctionne normalement
	Le fusible a sauté.	Remplacez le fusible
L'appareil fait beaucoup de bruit	L'appareil n'est pas parallèle au sol. L'appareil est trop proche du mur ou les accessoires intérieurs du réfrigérateur sont mal placés.	Stabilisez la base du réfrigérateur en réglant la position des pieds. Éloignez l'appareil du mur. Placez correctement les accessoires intérieurs du réfrigérateur.
L'appareil n'atteint pas la température désirée.	La porte est ouverte trop souvent ou a été laissée ouverte longtemps.	Fermez la porte et ne l'ouvrez pas trop fréquemment.
	Le réfrigérateur est trop proche du mur.	Éloignez l'appareil du mur pour assurer une bonne.
	Le réfrigérateur est trop plein.	Retirez des aliments de l'appareil.
	La température est mal réglée.	Tournez le bouton du thermostat sur la position «3 » ou plus.
L'appareil dégage de mauvaises odeurs.	Des aliments ont périmé à l'intérieur du réfrigérateur.	Jetez les aliments périmés et emballez les autres aliments.
	L'intérieur de l'appareil a besoin d'être nettoyé.	Nettoyez l'intérieur de l'appareil.

Si votre appareil montre d'autres symptômes que ceux décrits ci-dessus, veuillez appeler le service après-vente agréé du magasin ou le revendeur.

Les symptômes suivants ne sont pas de pannes:

1. Le bruit du liquide réfrigérant qui circule dans les tuyaux peut être entendu, cela est normal.
2. L'humidité sur la surface extérieure de l'appareil durant les saisons humides n'est pas un problème, il suffit de passer un chiffon doux et sec sur les surfaces.
3. Le compresseur et le condenseur peuvent chauffer davantage durant les périodes de forte chaleur.
4. Le cadre de la porte est un peu chaud, cela signifie que le condenseur fonctionne pour évacuer l'humidité de l'air.

EXCLUSIONS DE GARANTIE :

La garantie ne couvre pas les pièces d'usure du produit, ni les problèmes ou les dommages résultant de :

- (1) Détériorations superficielles dues à l'usure normale du produit ;
- (2) Défauts ou détériorations dus au contact du produit avec des aliments ou des liquides et dus à la corrosion provoquée par la rouille ou de présence d'insectes ;
- (3) Tout incident, abus, utilisation impropre, modification, démontage ou réparation non autorisés ;
- (4) Toute opération impropre d'entretien, utilisation non conforme aux instructions concernant le produit ou branchement à une tension incorrecte ;
- (5) Toute utilisation d'accessoires non fournis ou approuvés par le fabricant.

La garantie sera annulée en cas d'élimination de la plaque signalétique et/ou du numéro de série du produit.

MISE AU REBUT



La directive Européenne 2012/19/UE sur les Déchets des Equipements Electriques et Electroniques (DEEE), exige que les appareils ménagers usagés ne soient pas jetés dans le flux normal des déchets municipaux. Les appareils usagés doivent être collectés séparément afin d'optimiser le taux de récupération et le recyclage des matériaux qui les composent et réduire l'impact sur la santé humaine et l'environnement.

Le symbole de la poubelle barrée est apposé sur tous les produits pour rappeler les obligations de la collecte séparée. Les consommateurs devront contacter les autorités locales ou leur revendeur concernant la démarche à suivre pour l'enlèvement de leur appareil.

SIBIR